

FILE NO.

**SANYO**

Parts List

RICE COOKER

ECJ-HC100S (USA)

PRODUCT CODE  
NO. 142263206



Specifications

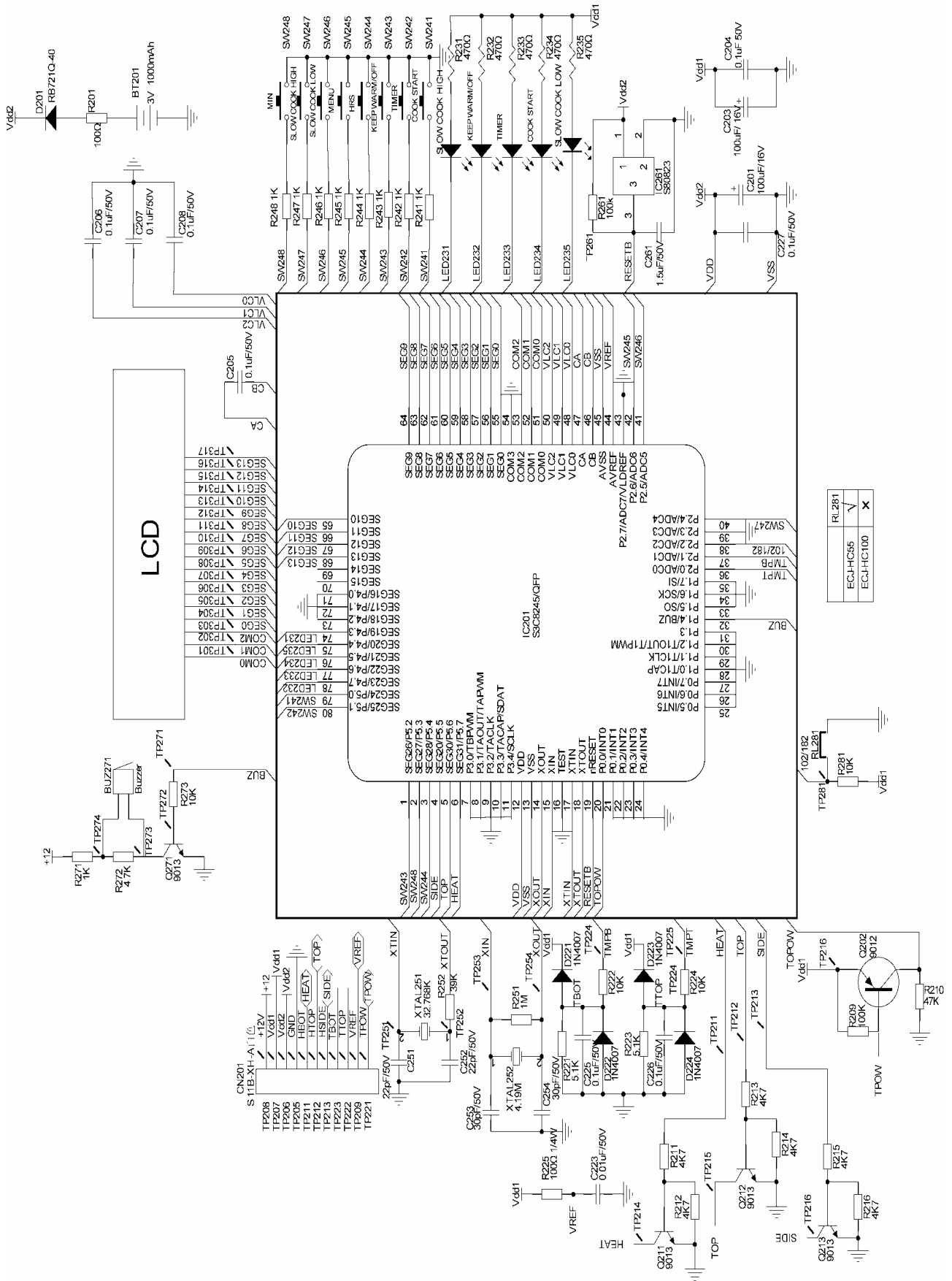
This model can be used in areas where the power frequency is 50Hz or 60Hz

|                   |                 |               |
|-------------------|-----------------|---------------|
|                   |                 | ECJ-HC100S    |
| Power source      |                 | AC120V        |
| Power Consumption | Cooking         | 910W          |
|                   | Keep Warm       | 44Wh          |
| Cooking Capacity  | White Rice      | 2-10 Cups     |
|                   | Brown Rice      | 2-8 Cups      |
|                   | Rinse-Free Rice | 2-10 Cups     |
|                   | Sweet           | 2-6 Cups      |
|                   | Haiga           | 2-10 Cups     |
|                   | Porridge        | 0.5-2.5 Cups  |
| Dimensions        | Mixed           | 2-6 Cups      |
|                   | Width           | 279mm         |
|                   | Depth           | 353mm         |
|                   | Height          | 247mm         |
| Weight            |                 | Approx 4.4Kg  |
| Cord Length       |                 | Approx 0.95Kg |

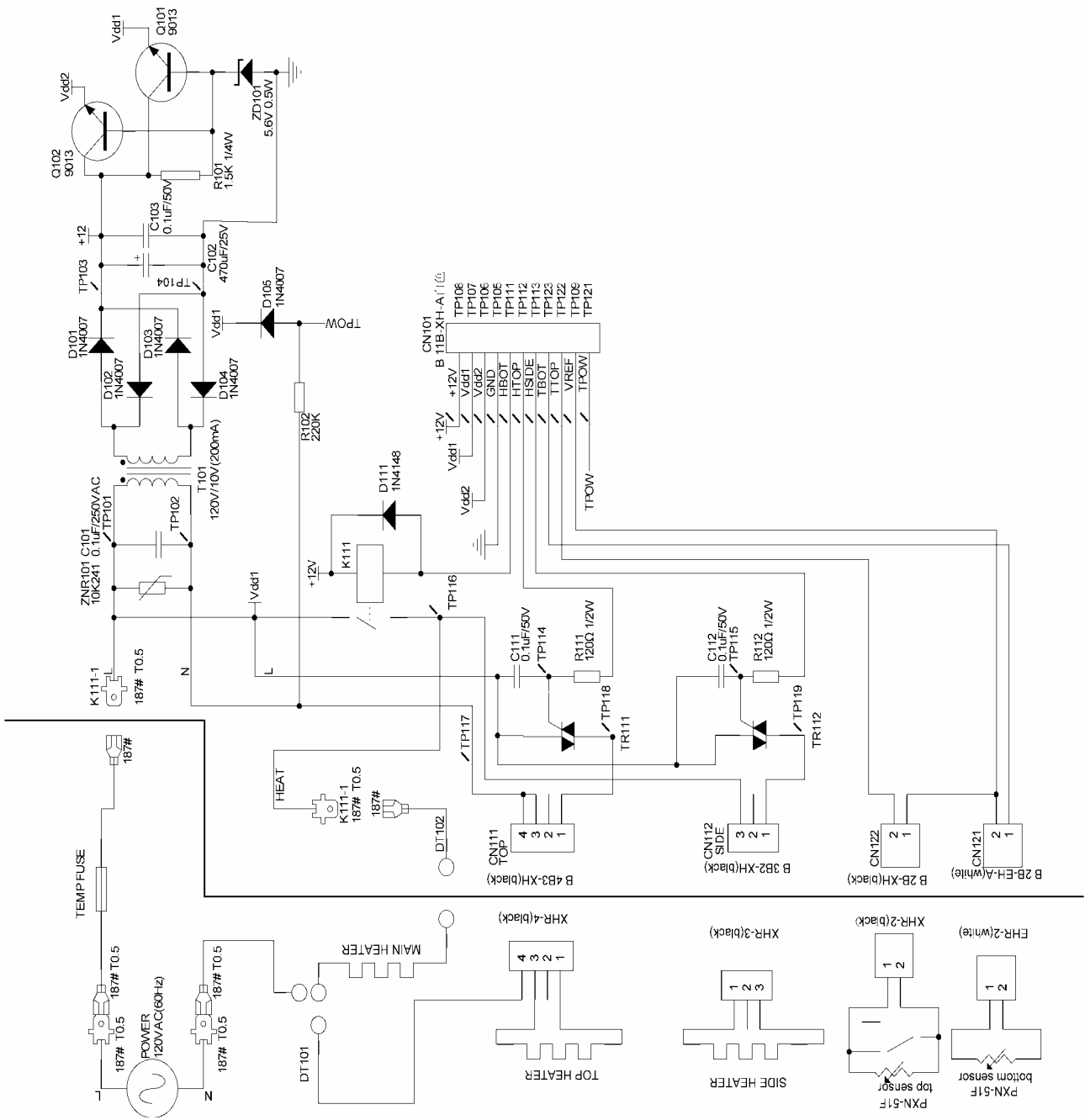
Specifications subject to change without notice

REFERENCE NO.SM6710027

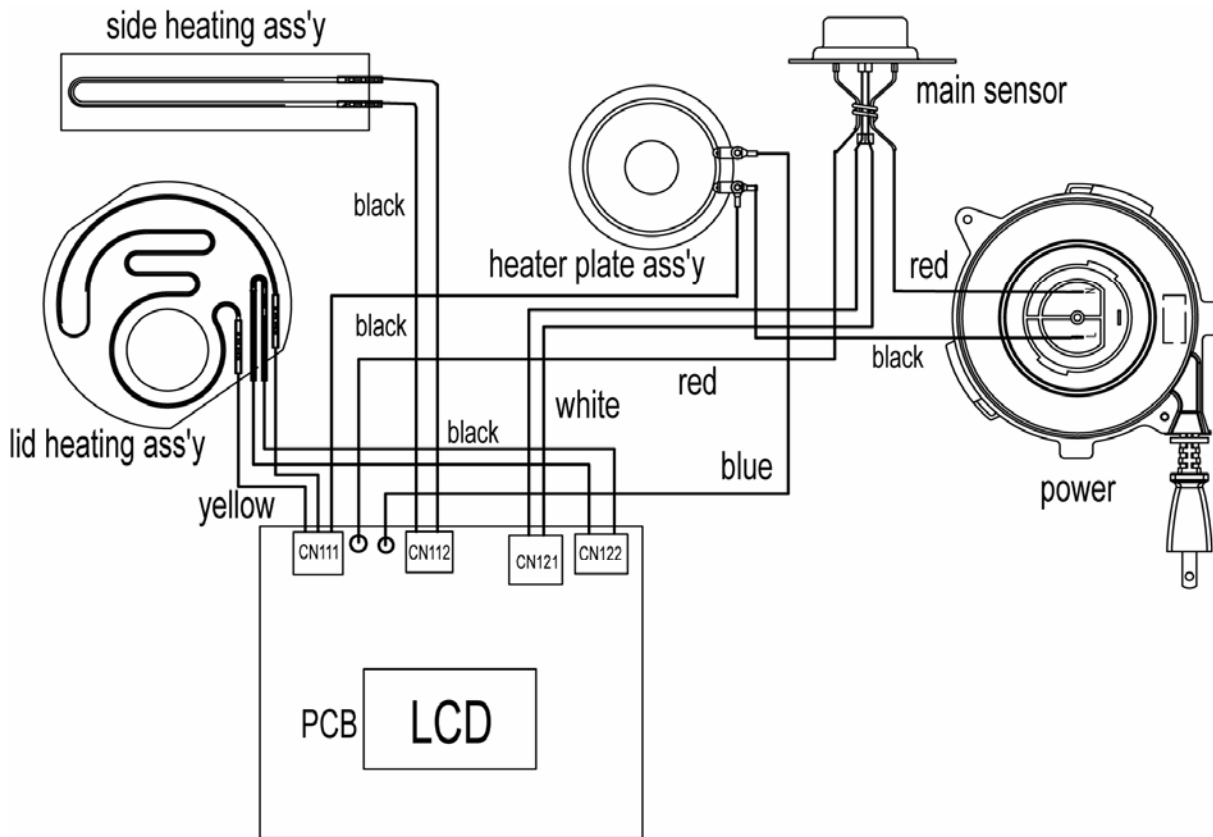
# Circuit Diagram (Power)



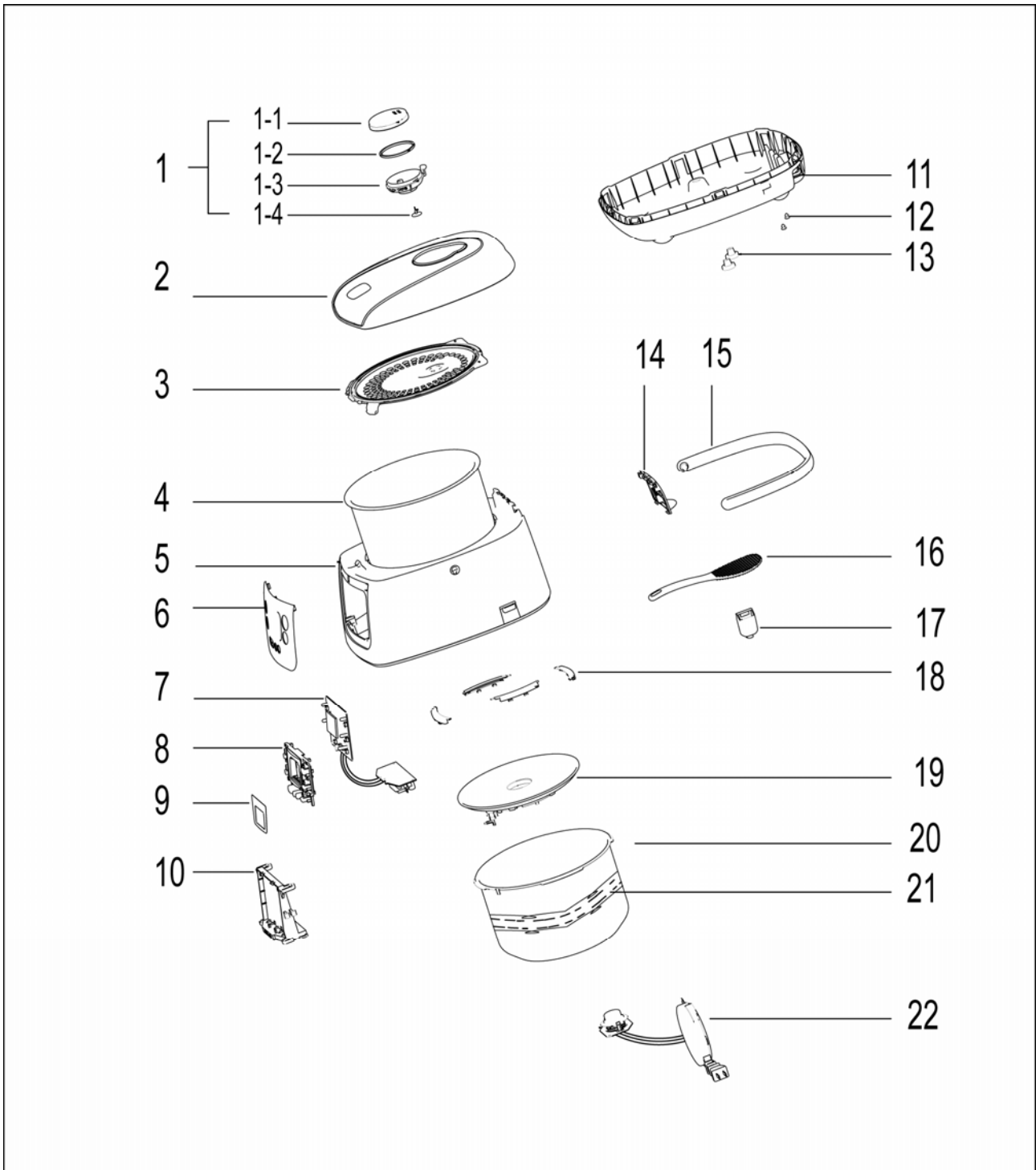
# Circuit Diagram (Power)



# Wiring Diagram



# Exploded View



## Parts List ECJ-HC100S

| Key No. | Port No.       | Port Name(English)                 | Quantity |
|---------|----------------|------------------------------------|----------|
| 1       | MD303509000187 | steam ass'y                        | 1        |
| 1--1    | MD303509000223 | steam cap                          | 1        |
| 1--2    | MD301300101051 | steam airproof                     | 1        |
| 1--3    | MD303401700071 | steam sit                          | 1        |
| 1--4    | MD301300101052 | steam lower packing                | 1        |
| 2       | MD303500002348 | lid ass'y                          | 1        |
| 3       | MD303501000337 | pan cover ass'y                    | 1        |
| 4       | MD303000000446 | inner pot                          | 1        |
| 5       | MD303400300348 | body                               | 1        |
| 6       | MD301601200358 | panel sheet                        | 1        |
| 7       | MD301207001199 | PCB ass'y                          | 1        |
| 8       | MD303405000242 | PCB catch                          | 1        |
| 9       | MD301809000963 | LCD stick                          | 1        |
| 10      | MD303405000347 | PCB nog                            | 1        |
| 11      | MD303401900401 | base                               | 1        |
| 12      | MD301300100906 | rubber feet                        | 2        |
| 13      | MD303402600019 | insulation ring                    | 2        |
| 14      | MD303402500031 | spring cap                         | 1        |
| 15      | MD303402700327 | handle                             | 1        |
| 16      | MD303401000013 | scoop                              | 1        |
| 17      | MD303401100035 | scoop holder                       | 1        |
| 18      | MD303402600028 | heat insulation                    | 4        |
| 19      | MD303500703070 | heating plate ass'y                | 1        |
| 20      | MD303000100334 | outer pot                          | 1        |
| 21      | MD303502203312 | side heater ass'y                  | 1        |
| 22      | MD301207100050 | power cord and center sensor ass'y | 1        |

**SANYO**

---

SANYO Electric Co., Ltd.  
Osaka, Japan.